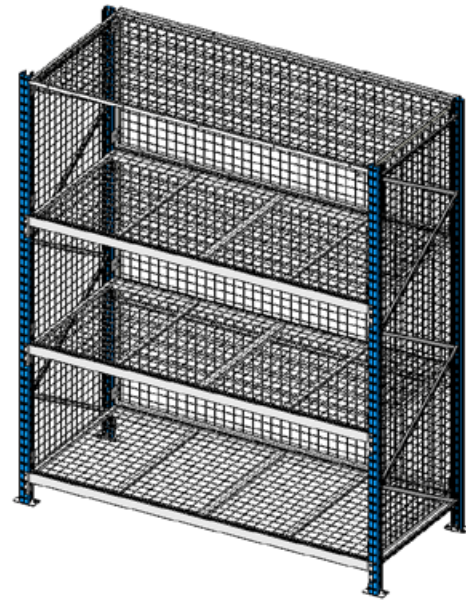
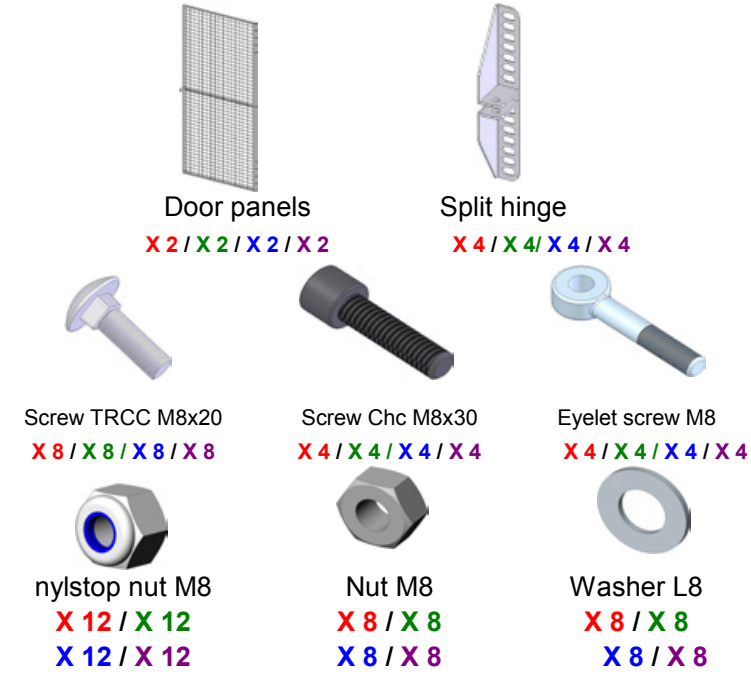
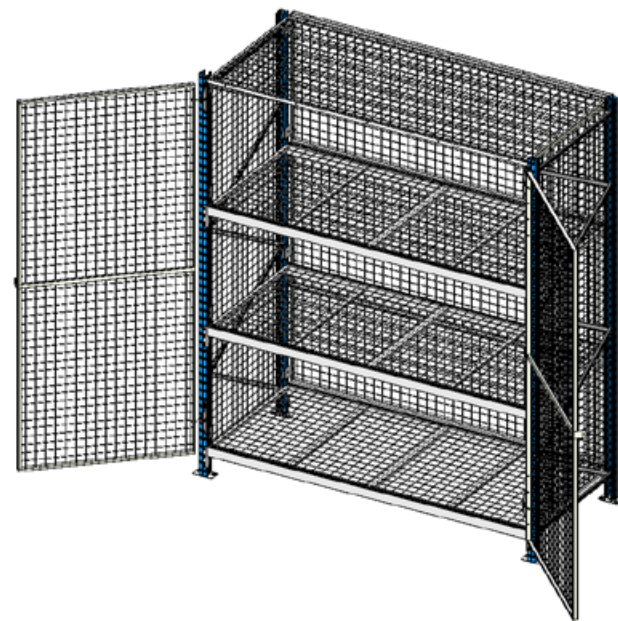


Stage 5 : positioning of the wire meshed panels

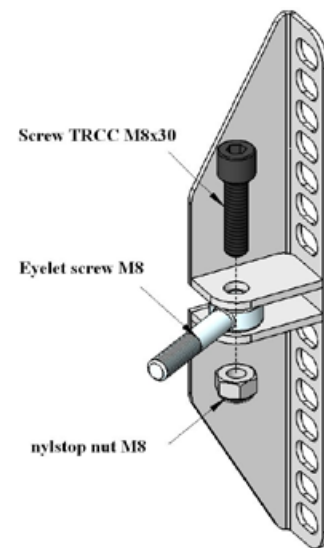


Place the wire meshed panels on the beams

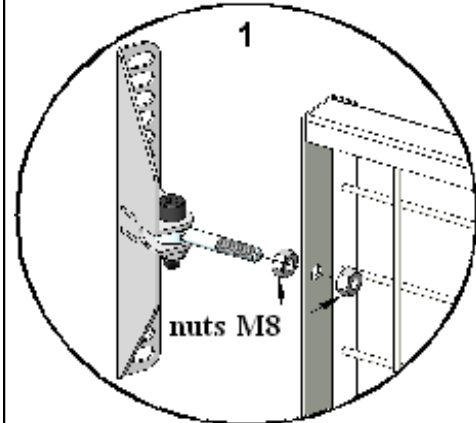
Stage 6 : Doors assembly



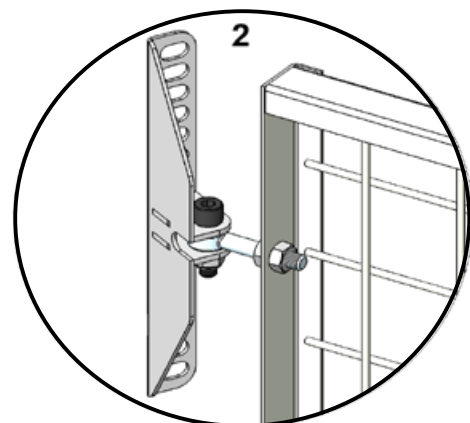
*** split hinge assembly**



*** split hinge / door panel assembly**

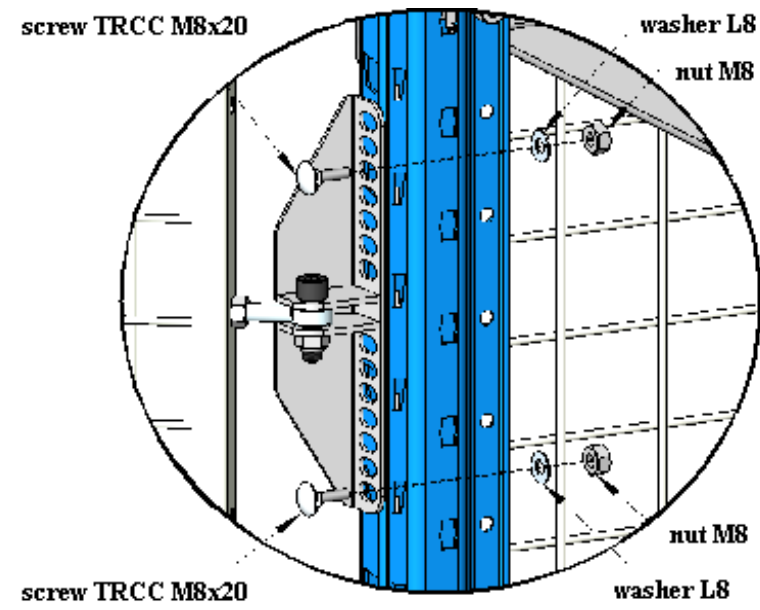


Door panel assembly with nut and lock nut



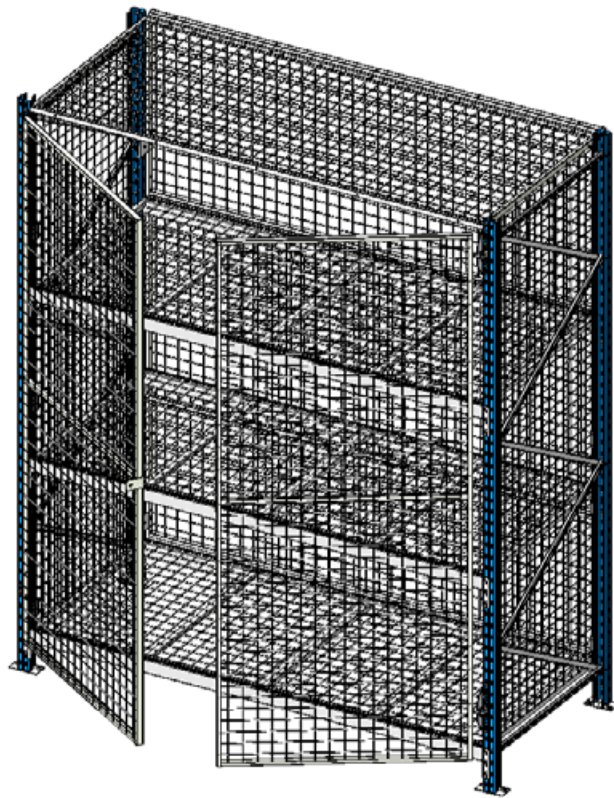
*** Assembly of the door on the EPSIVOL frame**

The large number of perforations on the split hinge and also on the side of the door panel enable an easy adjustment of the door regarding the position of the beam levels



ASSEMBLY INSTRUCTIONS FOR EPSIVOL SECURED SYSTEM

Check that the floor is adequate, flat and can support the load.

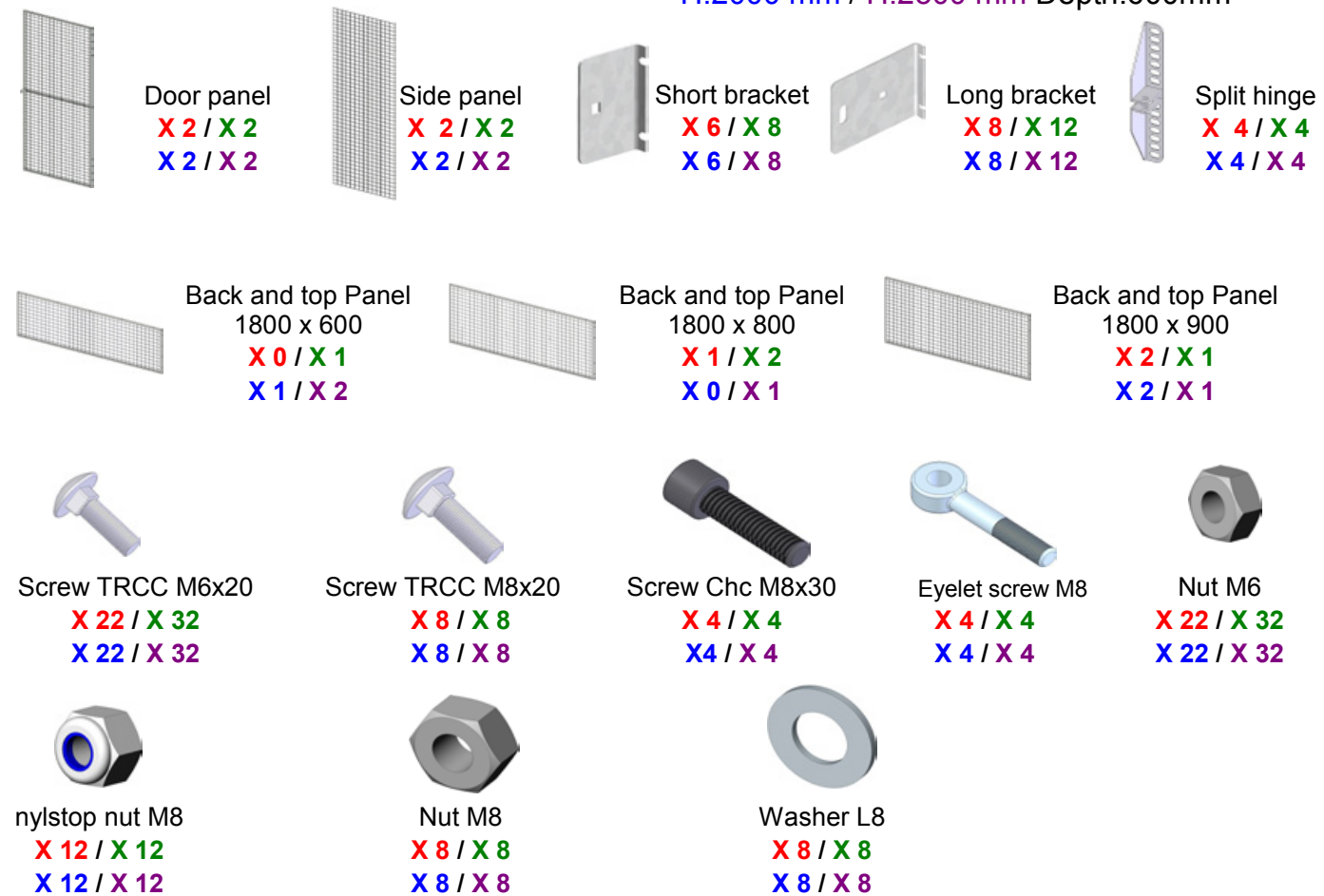


For manual storage only

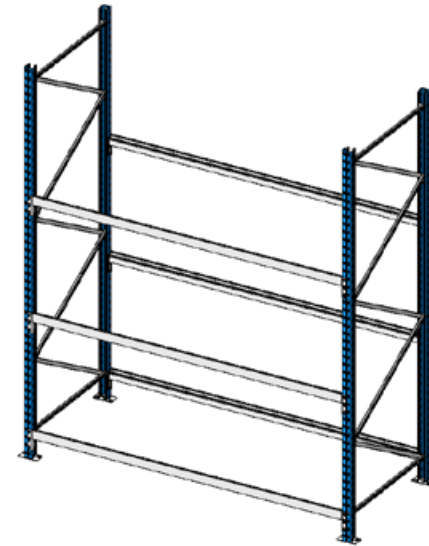
Security instructions

- Maximum distance between 2 levels : 900 mm
- Put the heaviest load at the bottom of the shelving
- Max. Load per level : depends on the type of panel
- Fixation on a concrete floor, pack of 2 bolts per frame: M10 Ø12 L.75mm
- Min. 2 levels of beams per bay

Composition of the starting bay : H.2000 mm / H.2500 mm Depth.800mm
H.2000 mm / H.2500 mm Depth.600mm

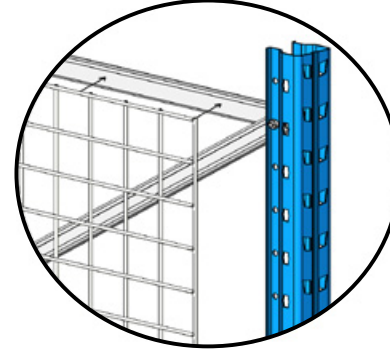
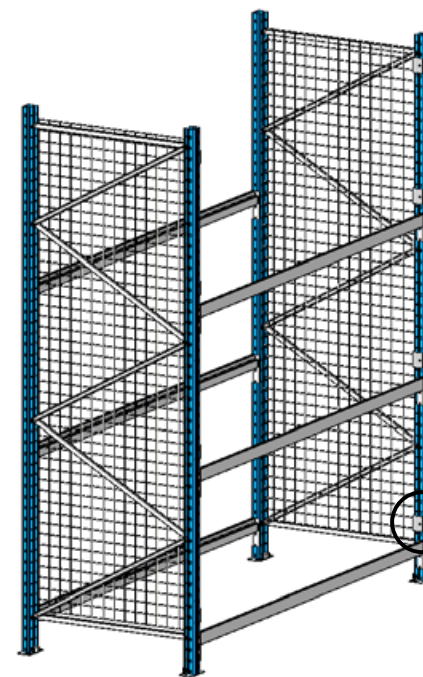


Stage 1 : EPSIVOL assembly instructions



Please refer to the EPSIVOL assembly instructions to built the shelving-structure before assembling the mesh structure

Stage 2 : meshed side panels assembly



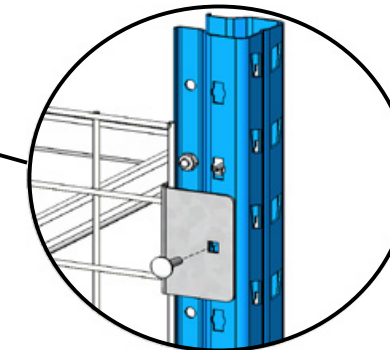
Position the side panels inside the frames



Short bracket
X 6 / X 8
X 6 / X 8



Screw TRCC M6x20
X 6 / X 8
X 6 / X 8

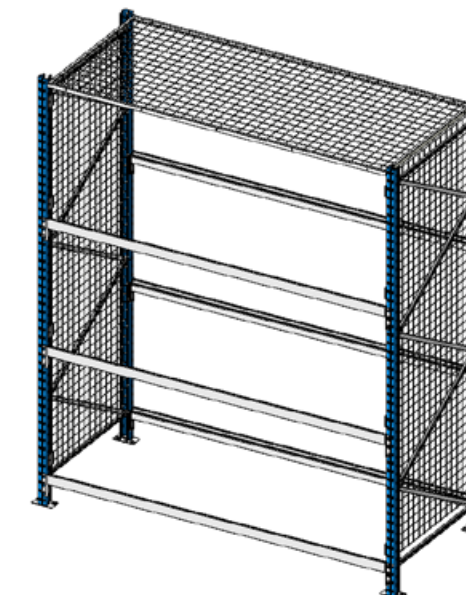


Split up the short brackets regularly along the frame. Fix the brackets on the lateral perforations of the frames

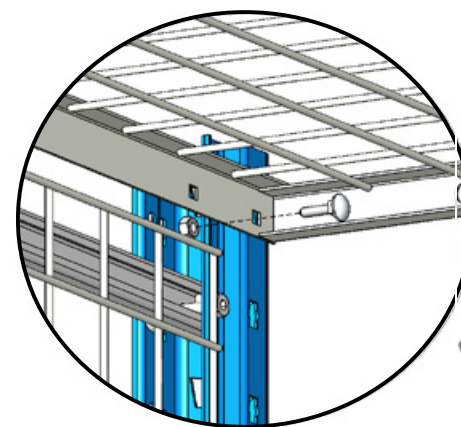


Nut M6
X 6 / X 8
X 6 / X 8

Stage 3 : meshed top assembly



Place the meshed top panel at the last lateral perforation level

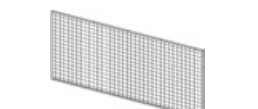
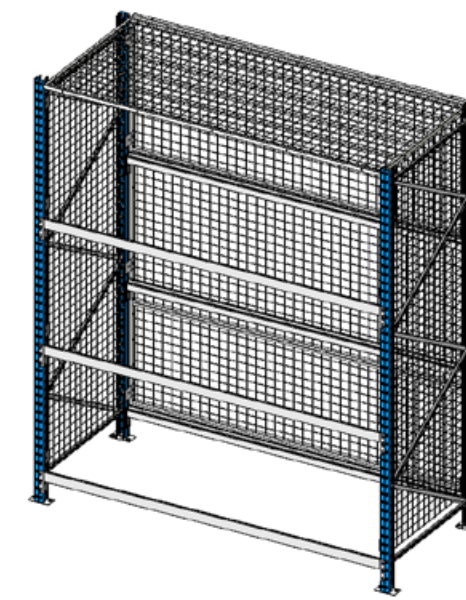


Panel 1800 x 800 ou 600 depending on depth
X 1 / X 1
X 1 / X 4



Screw TRCC M6x20
X 4 / X 4
X 4 / X 4
Nut M6
X 4 / X 4
X 4 / X 4

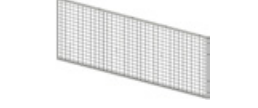
Stage 4 : Meshed back panels assembly



Panel 1800 x 900
X 2 / X 1 / X 2 / X 1



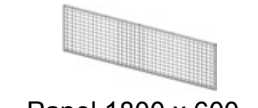
Long bracket
X 8 / X 12 / X 8 / X 12



Panel 1800 x 800
X 0 / X 1 / X 0 / X 1



Screw TRCC M6x20
X 18 / X 22 / X 18 / X 22

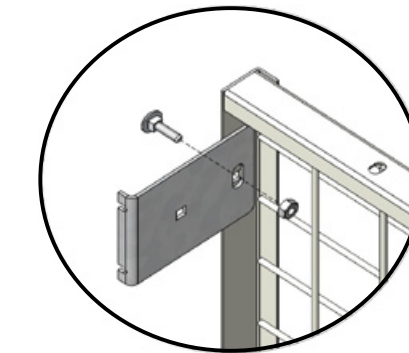


Panel 1800 x 600
X 0 / X 1 / X 0 / X 1



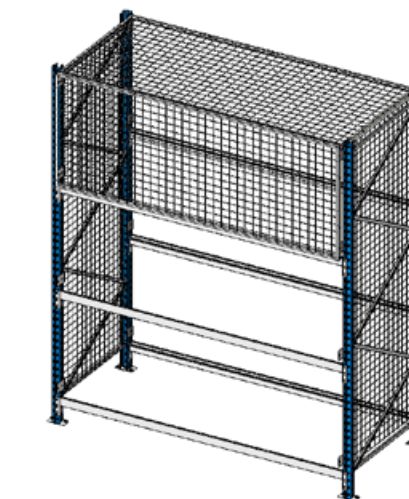
Nut M6
X 18 / X 22 / X 18 / X 22

1 Assembly of the long brackets on the back panels

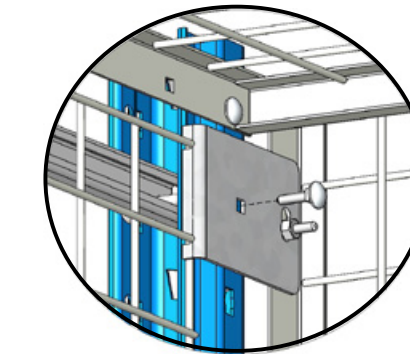


Pre-assemble the long brackets on the back panels before placing the panels on the shelving
4 long brackets per back panel needed
The positioning of the long brackets has to be done regarding the chosen position of the storage levels

2 Placing of the back panels

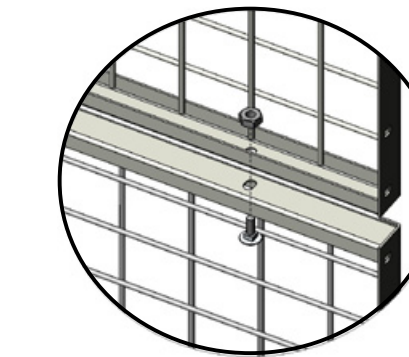


Start the assembly by the upper panel in order to facilitate the positioning of the long brackets



Fix the long brackets on the side perforations of the frames

3 Linking of the backs



After fixing the back panels on the uprights of the shelf, back panels have to be assemble together